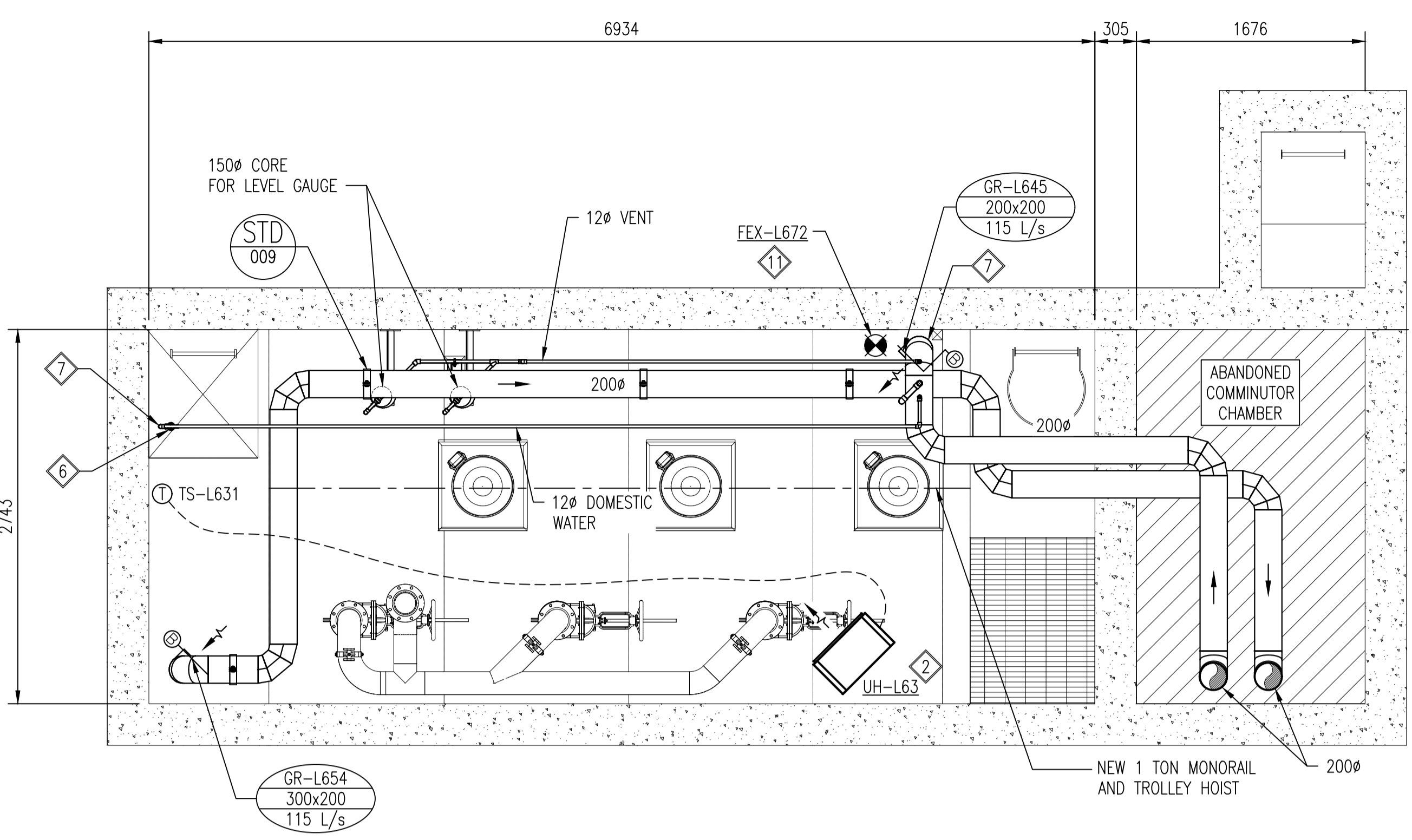
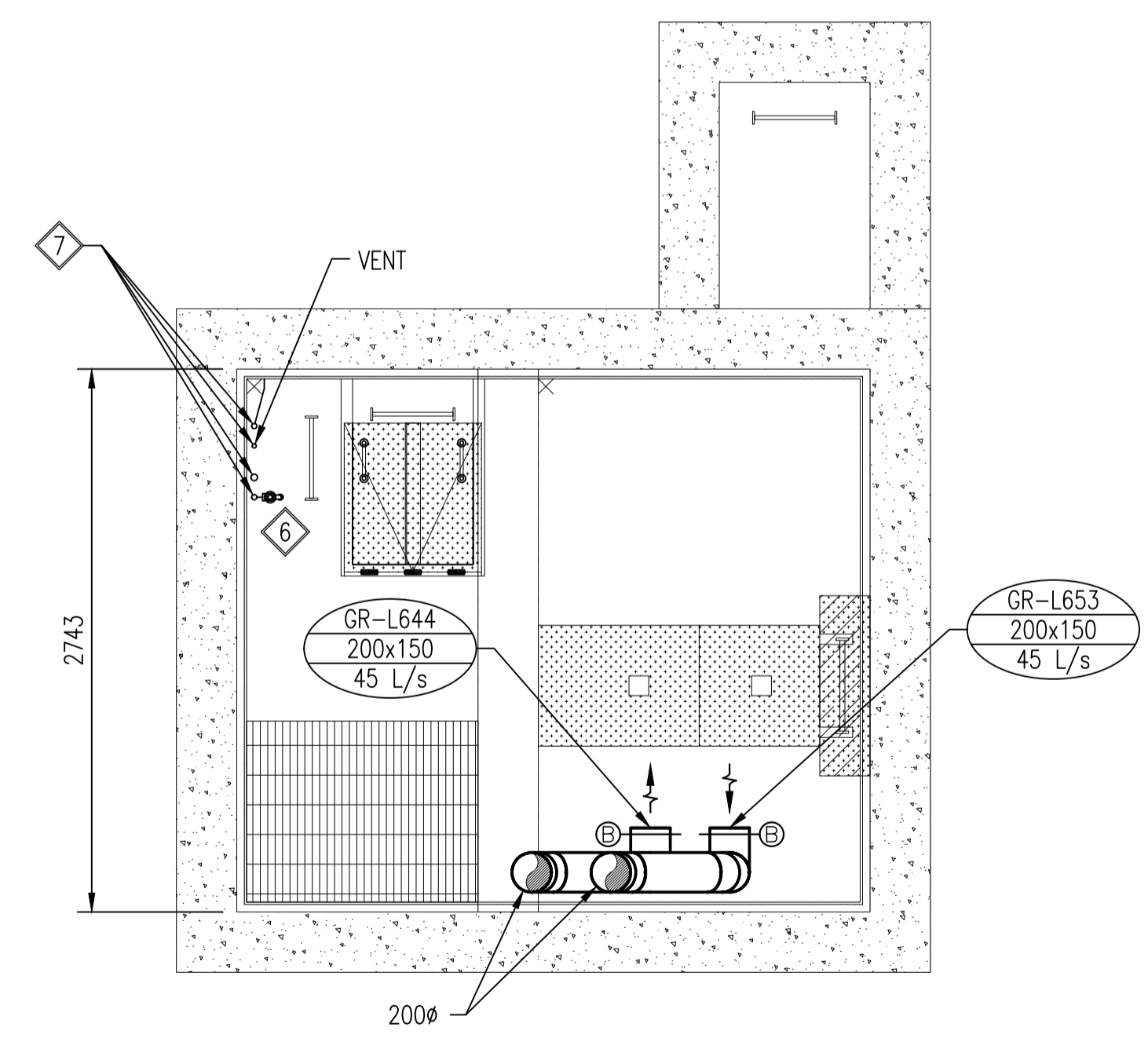


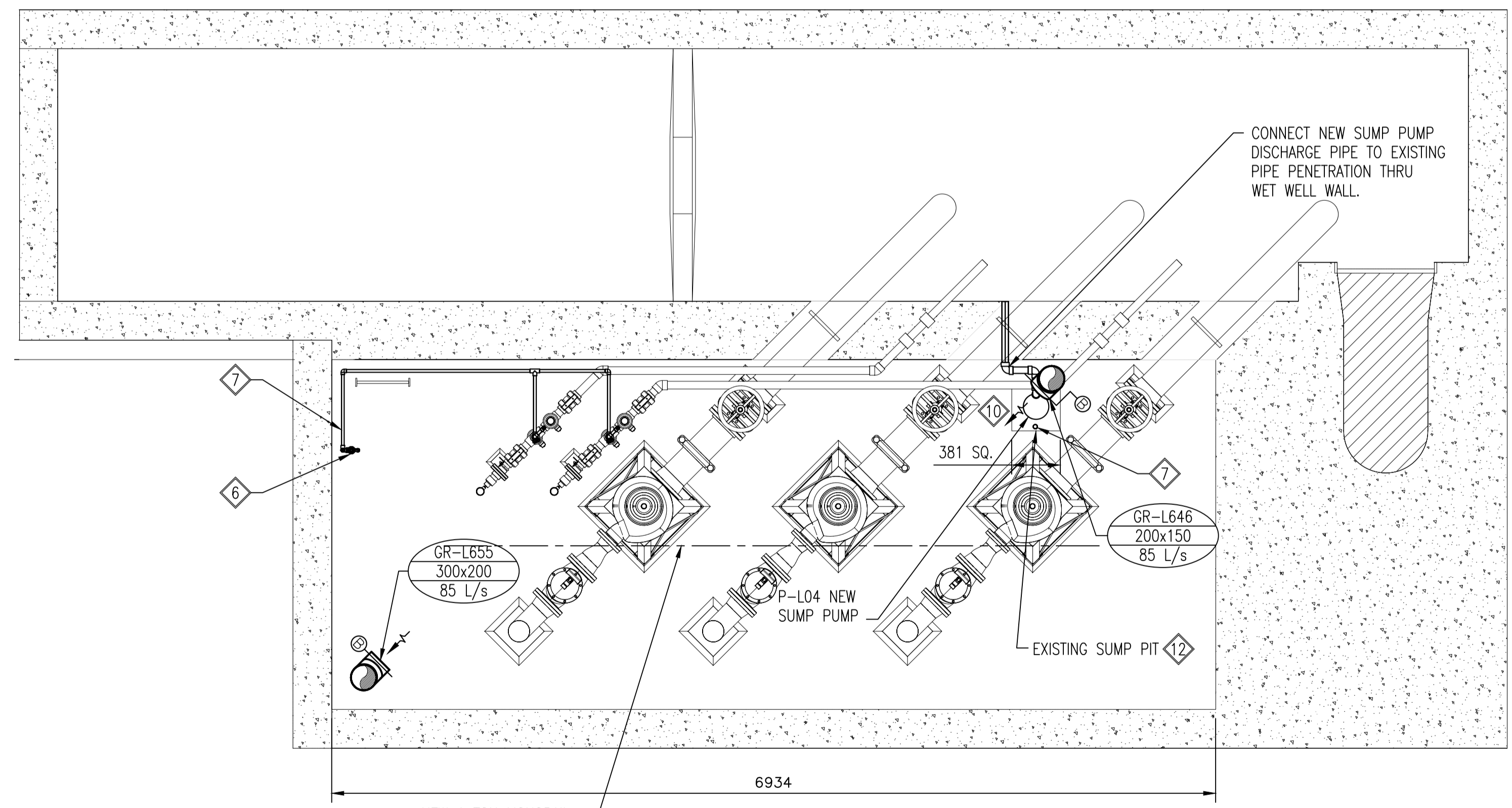
**A** MAIN FLOOR PLAN  
REF.1 SCALE: 1:30



**C** SUB-LEVEL 2 FLOOR PLAN  
REF.1 SCALE: 1:30



**B** SUB-LEVEL 1 FLOOR PLAN  
REF.1 SCALE: 1:30



**D** SUB-LEVEL 3 FLOOR PLAN  
REF.1 SCALE: 1:30

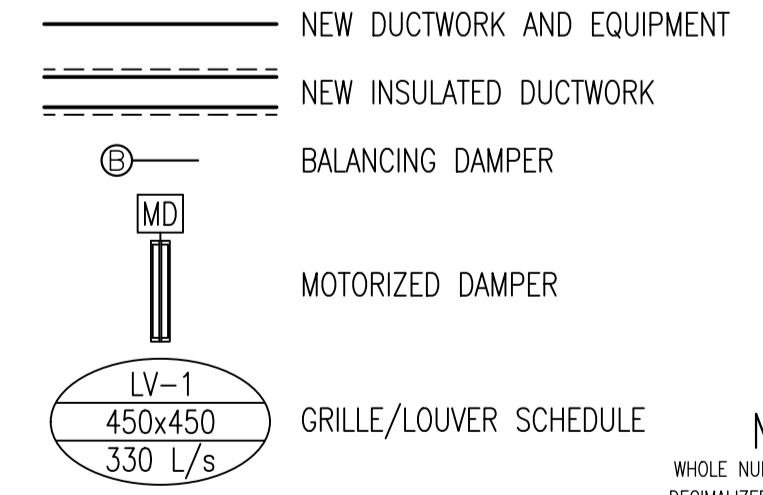
**GENERAL NOTES:**

- PERFORM WORK IN ACCORDANCE WITH ALL APPLICABLE CODES AND REGULATIONS.
- EQUIPMENT LOCATIONS, DUCT, AND PIPE ROUTING INDICATED ON THE DRAWINGS IS APPROXIMATE ONLY. CONFIRM IN THE FIELD. RE-ROUTE DUCTWORK AND PIPING AS REQUIRED TO ELIMINATE FIELD INTERFERENCES WITH BUILDING STRUCTURES, ELECTRICAL, ETC. CONFIRM CHANGES WITH THE CONTRACT ADMINISTRATOR. WHERE DIMENSIONS ARE INDICATED FOR PIPING, DUCTWORK, DUCT SIZES, EQUIPMENT SIZES, ETC. THESE ARE FOR BIDDING PURPOSES ONLY.
- THE CONTRACTOR IS RESPONSIBLE FOR VERIFYING ALL DIMENSIONS IN THE FIELD PRIOR TO ORDERING EQUIPMENT AND COMMENCING INSTALLATION WITHOUT EXTRA CHARGES TO THE PROJECT.
- THE CONTRACTOR IS RESPONSIBLE FOR COORDINATING WORK WITH ALL SUBTRADES RESPONSIBLE AND ENSURING THAT ALL EQUIPMENT, DUCTWORK AND PIPING FITS IN THE SPACES.
- CONFORM TO SMACNA STANDARDS FOR SUPPLY AND INSTALLATION OF DUCTWORK.
- SEAL ALL WALL PENETRATIONS AND DUCTWORK WATER AND AIRTIGHT.
- PROVIDE ALL WALL AND FLOOR PENETRATIONS.
- ALL EQUIPMENT SHOWN ON THIS DRAWING IS NEW AND IS TO BE PROVIDED BY THE CONTRACTOR UNLESS OTHERWISE INDICATED AS EXISTING.

**KEYNOTES:**

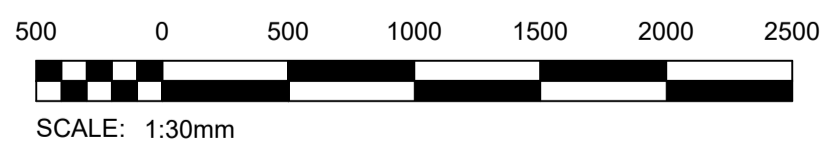
- SUPPLY AND INSTALL SUPPLY FAN, EXHAUST FAN AND ASSOCIATED MOTORIZED DAMPERS FOR RECIRCULATION FUNCTION. INSULATE DUCTWORK AS SHOWN AND SUPPORT EQUIPMENT AND DUCTWORK WITH HANGER SUPPORTS.
- SUPPLY AND INSTALL UNIT HEATER WITH HANGER SUPPORTS AND LOCAL THERMOSTAT.
- SUPPLY AND INSTALL WALL MOUNTED AIR CONDITIONING UNIT WITH LOCAL THERMOSTAT.
- SUPPLY AND INSTALL INLINE DUCT HEATER WITH ASSOCIATED SUPPORTS AND VENDOR SUPPLIED CONTROL PANEL.
- SUPPLY AND INSTALL NEW WATER METER, BACKFLOW PREVENTER WITH ASSOCIATED PIPING AND INLINE COMPONENTS TO REPLACE EXISTING WATER METER, BACKFLOW PREVENTER AND PIPING. CONNECT TO EXISTING DOMESTIC WATER TIE-IN PIPING SYSTEM.
- SUPPLY AND INSTALL WALL MOUNTED HOSE BIBB WITH LOCAL ISOLATION VALVE.
- SUPPLY AND INSTALL PIPING RISERS FOR DOMESTIC WATER AND DRAIN LINE FROM BACKFLOW PREVENTER. REUSE EXISTING FLOOR PENETRATIONS WHERE REQUIRED. SUPPORT PIPING WITH WALL MOUNTED SUPPORTS.
- REFER TO DWG. REFERENCE DRAWING NO.3 FOR DOMESTIC WATER PIPING DETAILS.
- RUN VENT PIPING AGAINST INTERIOR WALL AND THEN THROUGH ROOF.
- SUPPLY AND INSTALL NEW SUMP PUMP AND DISCHARGE PIPING. REFER TO REFERENCE DRAWING NO. 3 FOR PIPING DETAILS.
- SUPPLY AND INSTALL MULTI-PURPOSE DRY CHEMICAL FIRE EXTINGUISHER. REFER TO MECHANICAL SCHEDULE AND SPECIFICATION SECTION 10 44 00 FOR DETAILS AND MOUNTING HEIGHT.
- FLOOR GRADE SLOPING TOWARD THE EXISTING SUMP PIT NOT SHOWN FOR DRAWING CLARITY.

**LEGEND:**



**METRIC**  
WHOLE NUMBERS INDICATE MILLIMETRES  
DECIMALIZED NUMBERS INDICATE METRES

10		
9		
8		
7		
6		
5		
4		
3	1-0162L-M0011-001	HVAC AND PLUMBING - STANDARD DETAILS
2	1-0162L-M0010-001	PIPING SUPPORT - STANDARD DETAILS
1	1-0162L-M0007-001	HVAC AND PLUMBING - SECTION
NO.	DRAWING NUMBER	REFERENCE DRAWING TITLE
REFERENCE DRAWINGS		



B.M. ELEV.			
1	RE-ISSUED FOR CONSTRUCTION	2023 04 12	
0	ISSUED FOR CONSTRUCTION	2023 03 24	JVS
NO.	REVISIONS	DATE	BY

<b>KGS GROUP</b>	
DESIGNED BY	K. RADTKE
CHECKED BY	
DRAWN BY	R. PERALTA
APPROVED BY	
SCALE:	AS SHOWN
HORIZONTAL	
VERTICAL	
DATE	2022 07 19
RELEASED FOR CONSTRUCTION	
DATE	
PLOT DATE:	2023 04 12

ENGINEER'S SEAL	
CONSULTANT DRAWING NUMBER	22-0107-004_M08

**THE CITY OF WINNIPEG**  
WATER AND WASTE DEPARTMENT  
ENGINEERING DIVISION

**Winnipeg**

**METCALFE LIFT PUMPING STATION**  
2022 UPGRADES  
**MECHANICAL**  
HVAC AND PLUMBING  
PLANS

CITY DRAWING NUMBER: 1-0162L-M0008-001

SHEET 79 OF 109